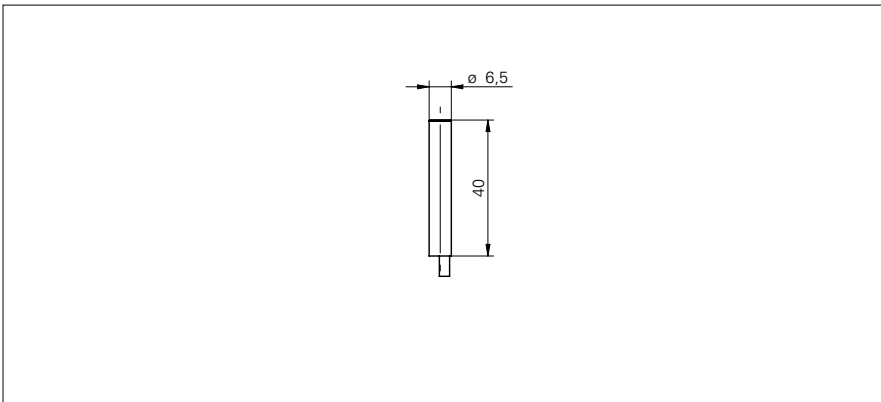


Inductive distance measuring sensors

IWRM 06U9501

dimension drawing



general data

mounting type	quasi-flush
measuring distance Sd	0 ... 2 mm
resolution	< 0,001 mm (stat.) < 0,005 mm (dynam.)
repeat accuracy	< 0,02 mm
linearity error	$\pm 100 \mu\text{m}$
temperature drift	$\pm 5 \%$ (Full Scale)

electrical data

response time (factory characteristic)	< 0,7 ms
voltage supply range +Vs	15 ... 30 VDC
current consumption max. (no load)	25 mA
output circuit	voltage output
output signal	0 ... 10 VDC
load resistance	> 1000 Ohm
short circuit protection	yes
reverse polarity protection	yes

mechanical data

type	cylindrical smooth
housing material	stainless steel
dimension	6,5 mm
housing length	40 mm
connection types	cable, 2 m

ambient conditions

operating temperature	10 ... +60 °C
protection class	IP 67

photo



connection diagram

